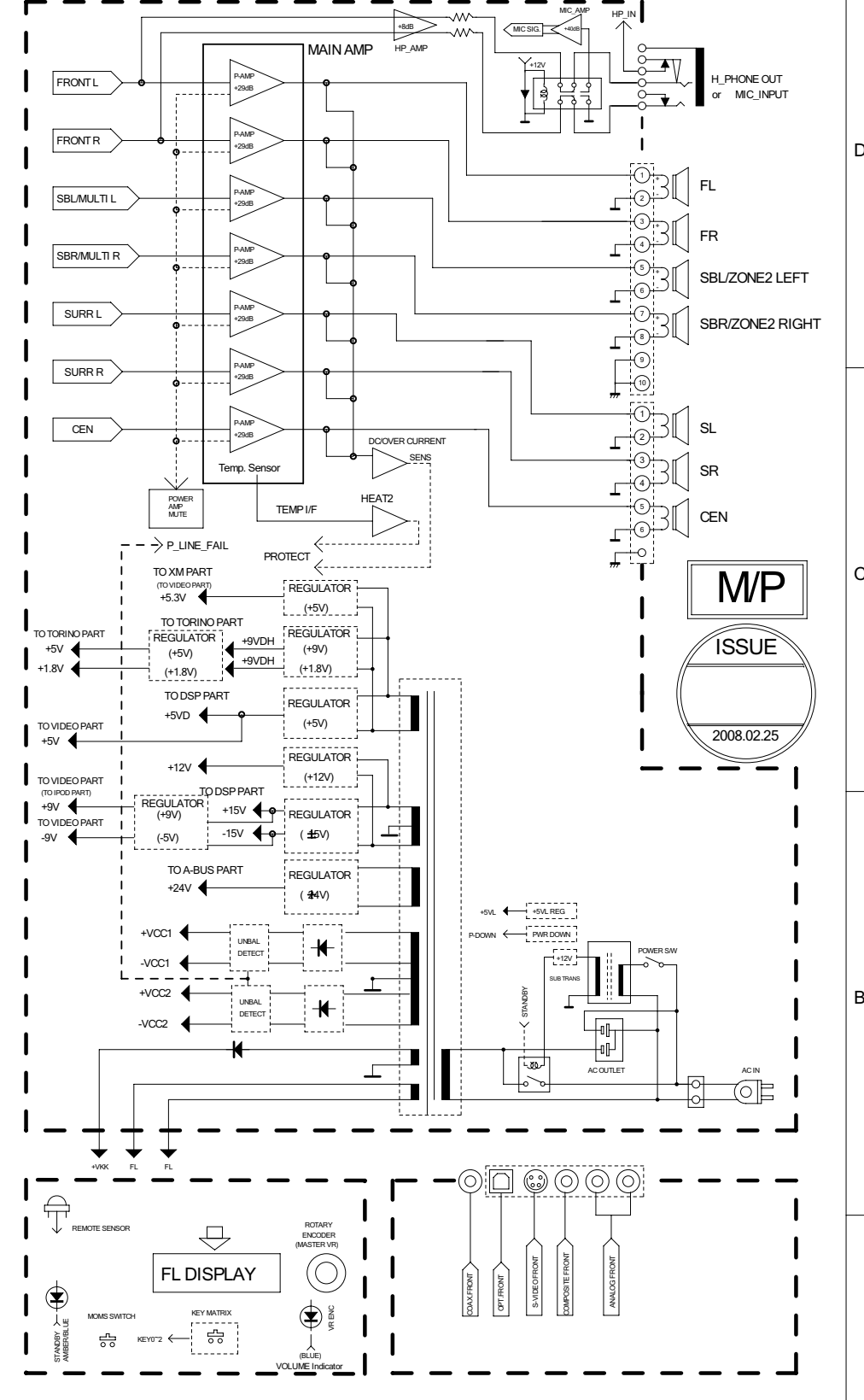
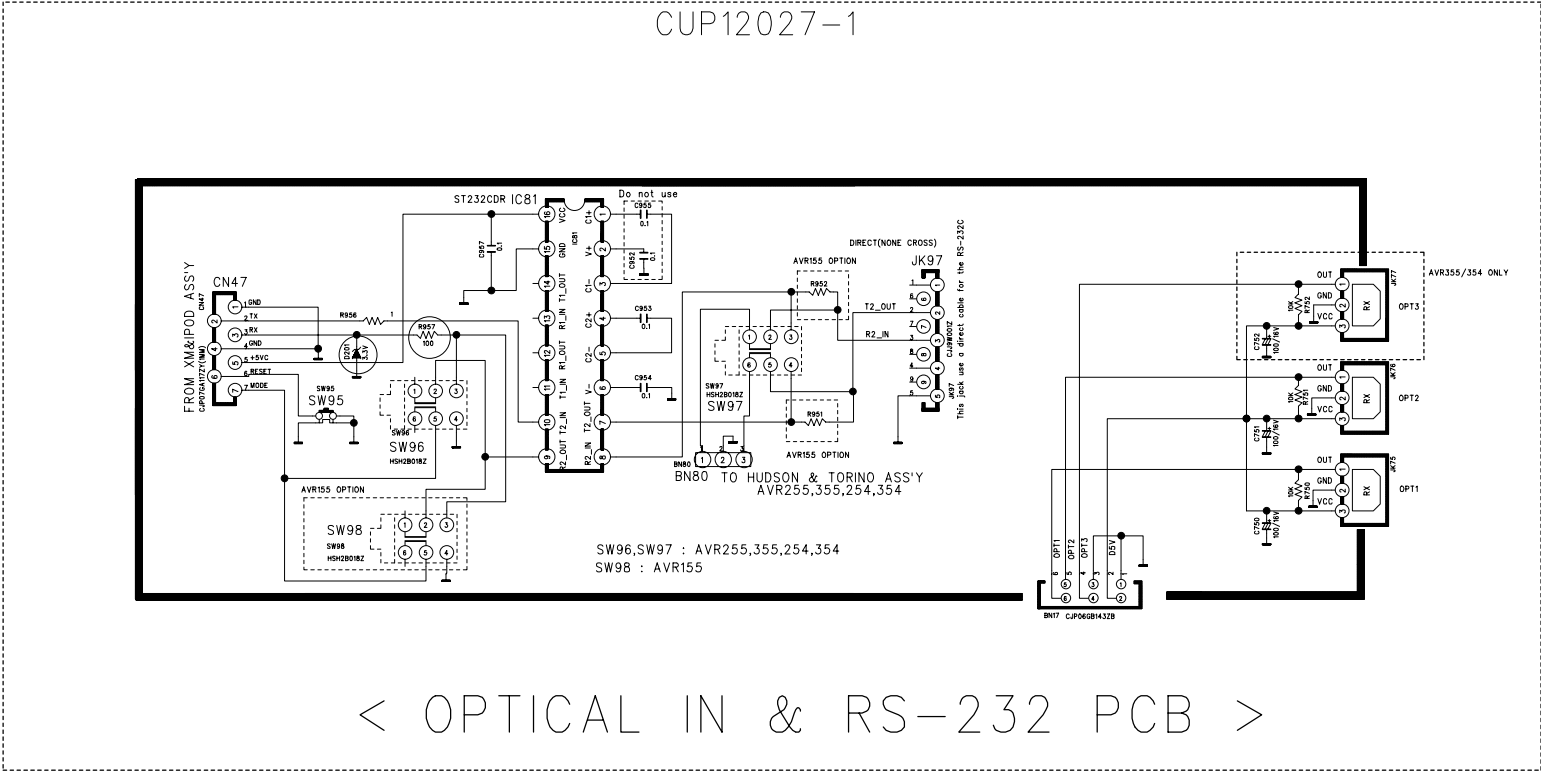


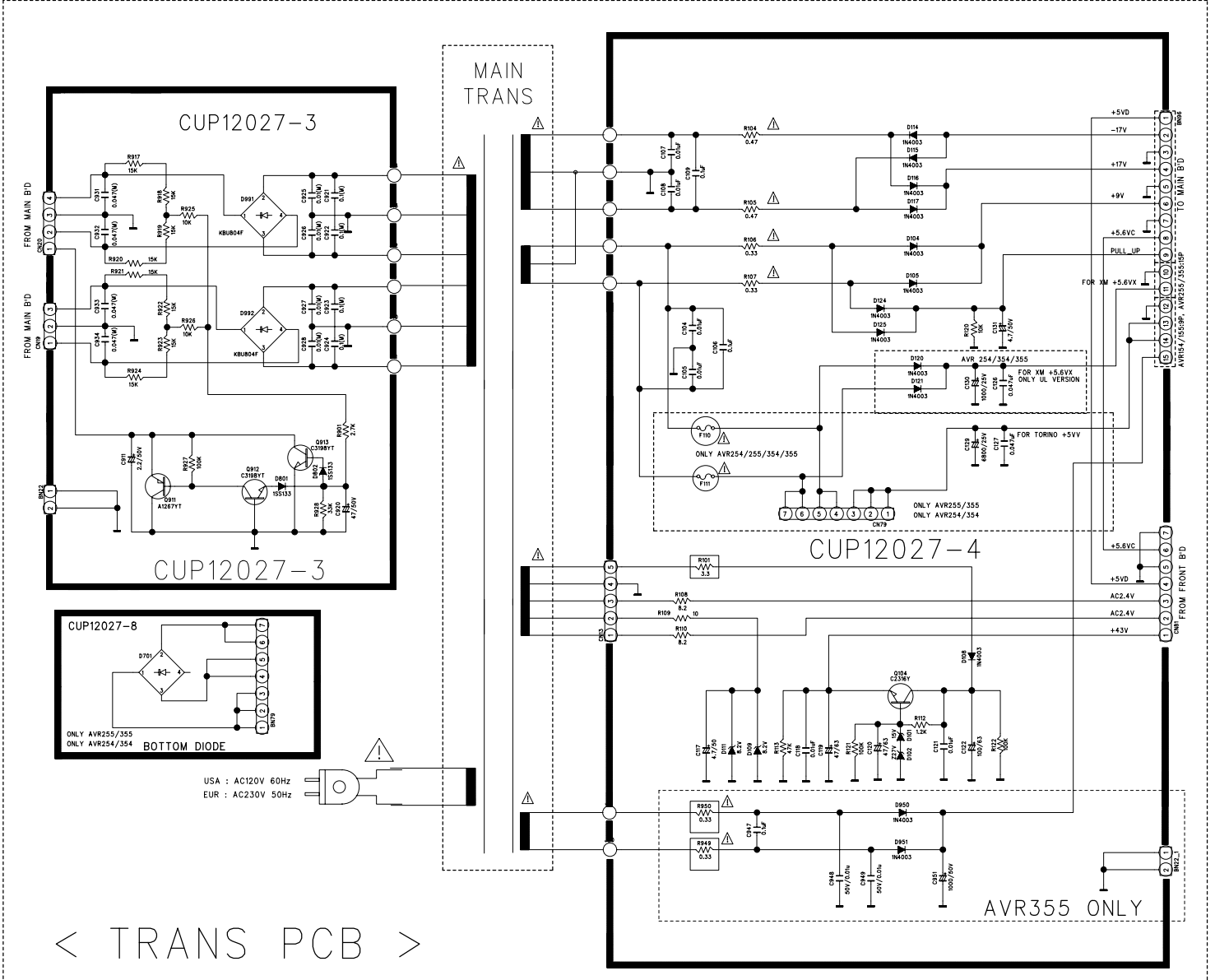
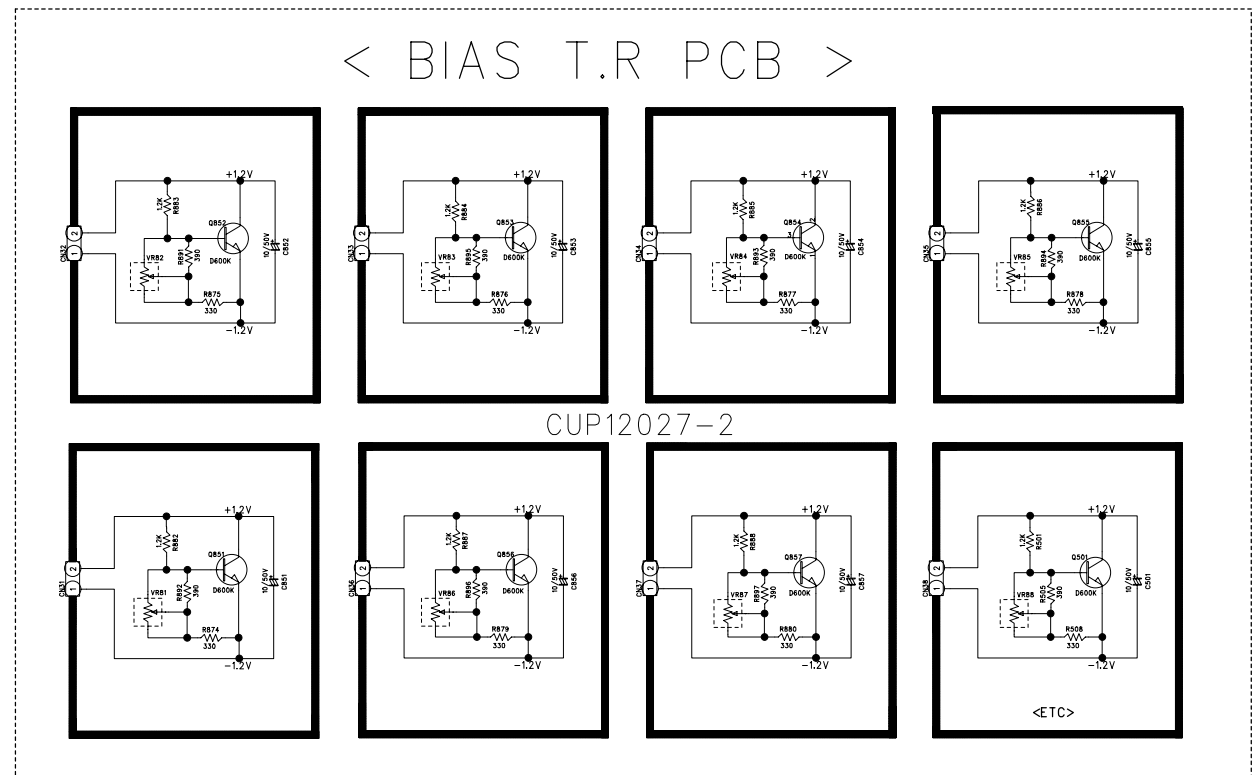
AVR254/255/354/355 BLOCK DIAGRAM



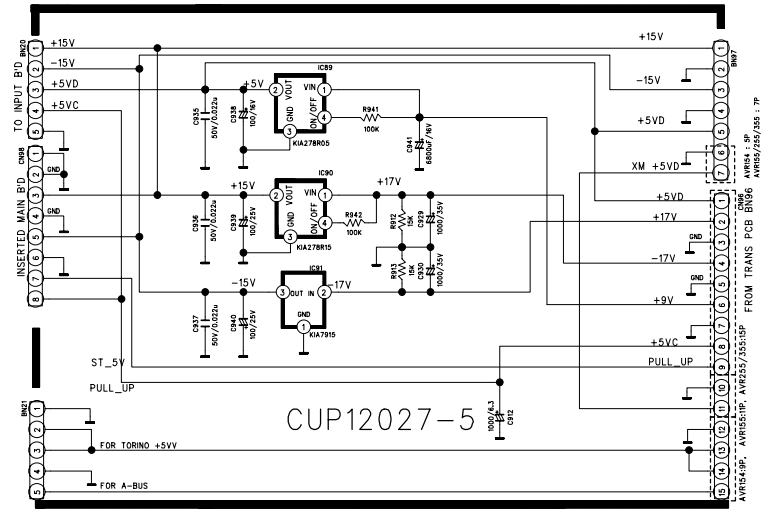
REVISION	2	4	6	
1	3	5	7	
SCHEMATIC DIAGRAM				SHEET
MODEL	AVR254/255/354/355			1/1
DESIGN	CHECK	APPROVE	DRAWING NO	
S.H.Yang	W.Y.Yang	G.S.Wey	BLOCK DIAGRAM	
08.02.25	08.02.25	08.02.25	2024BLDZ	



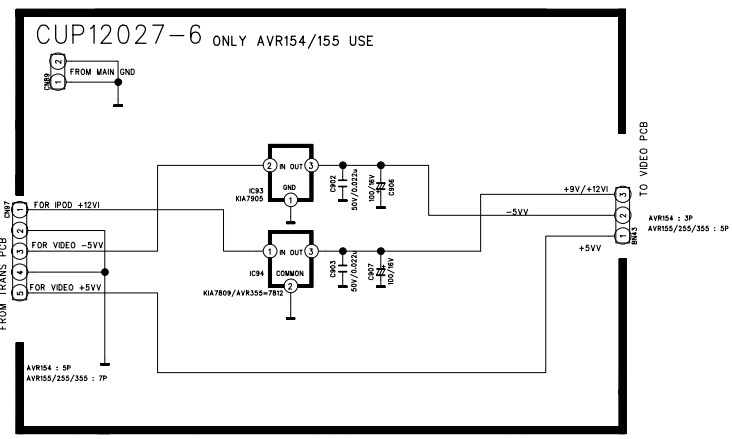
< OPTICAL IN & RS-232 PCB >



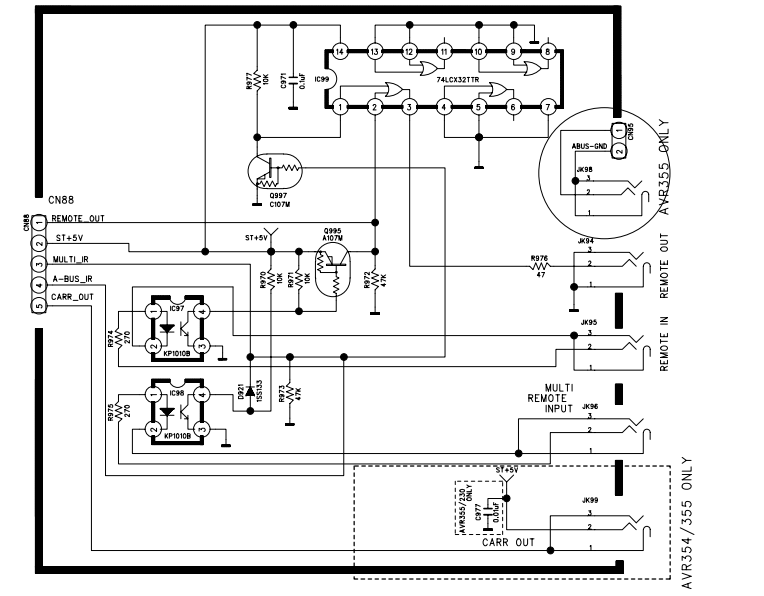
< TRANS PCB >



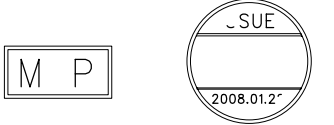
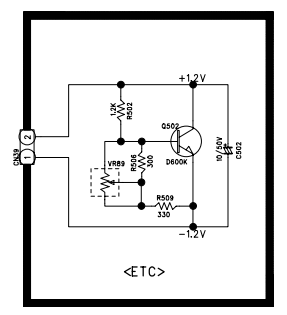
CUP12027-5



< REGULATOR PCB >

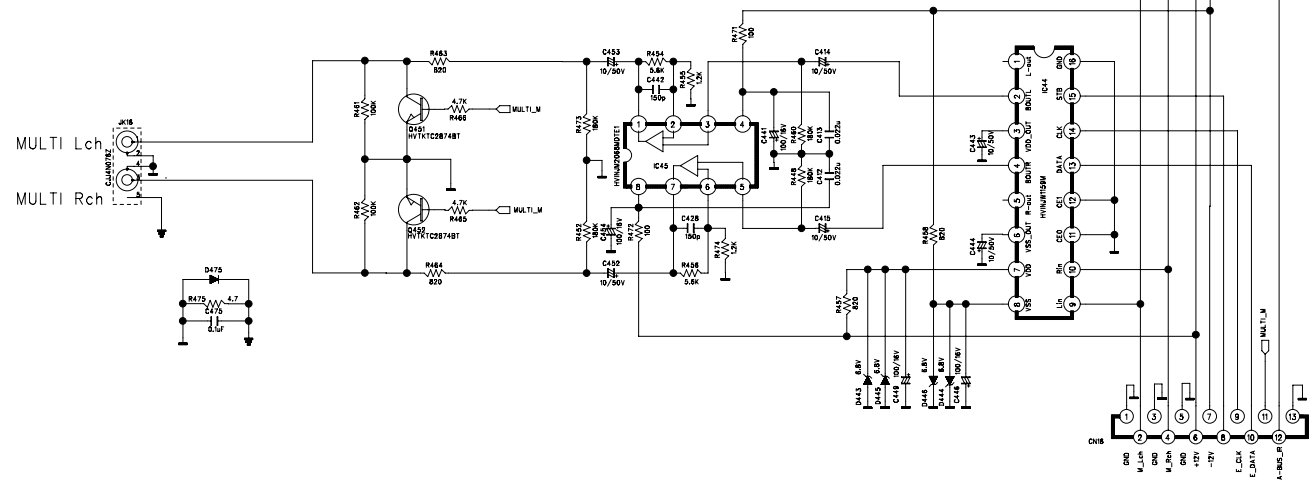
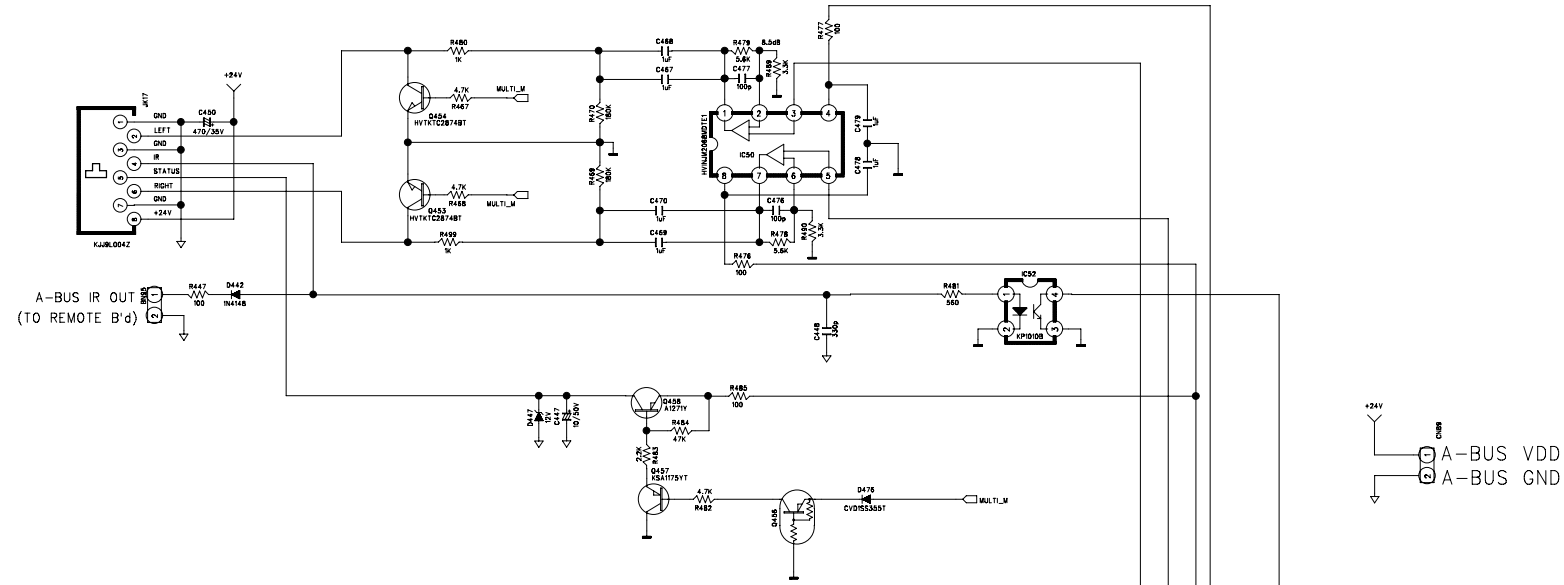


AVR254/255/354/355 ONLY CUP12027-7
< REMOTE IN/OUT PCB >

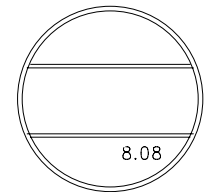


REVISION	2	4	6
1	3	5	7
SCHEMATIC DIAGRAM			
MODEL	AVR x54/x55		
DESIGN	CHECK	APPROVE	DRAWING NO
J.T.B	Y.Y.W	K.S.W	CUP12027Z
08.01.22			(POWER)

A-BUS PART : ONLY FOR AVR355 & AVR355/230



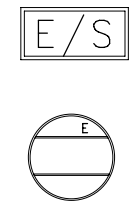
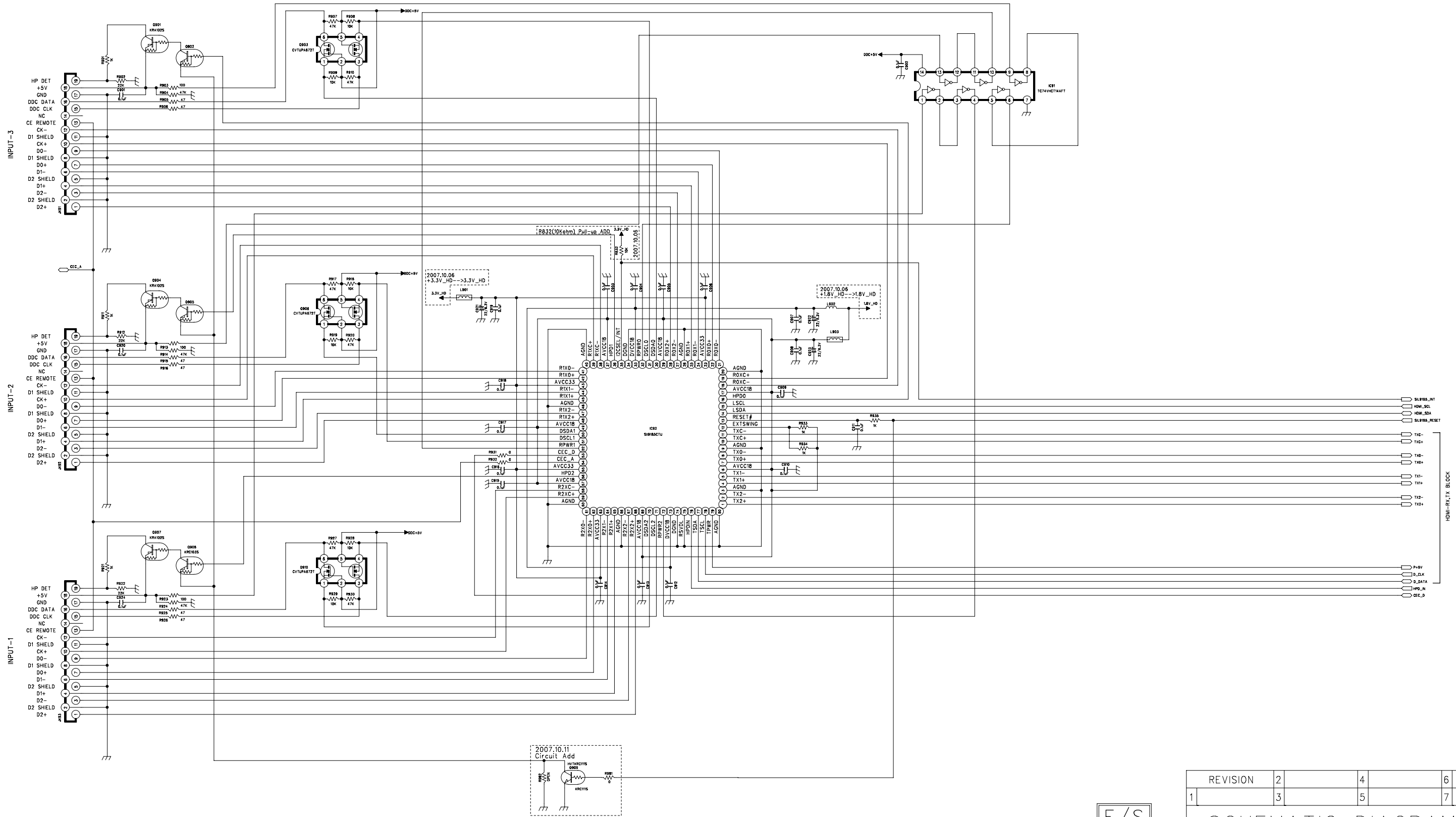
MULTI ROOM VOLUME : AVR355, AVR354, AVR355/230



E/S

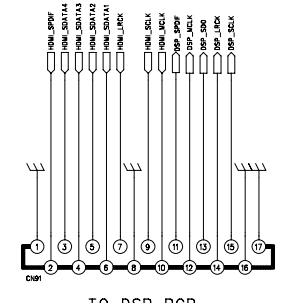
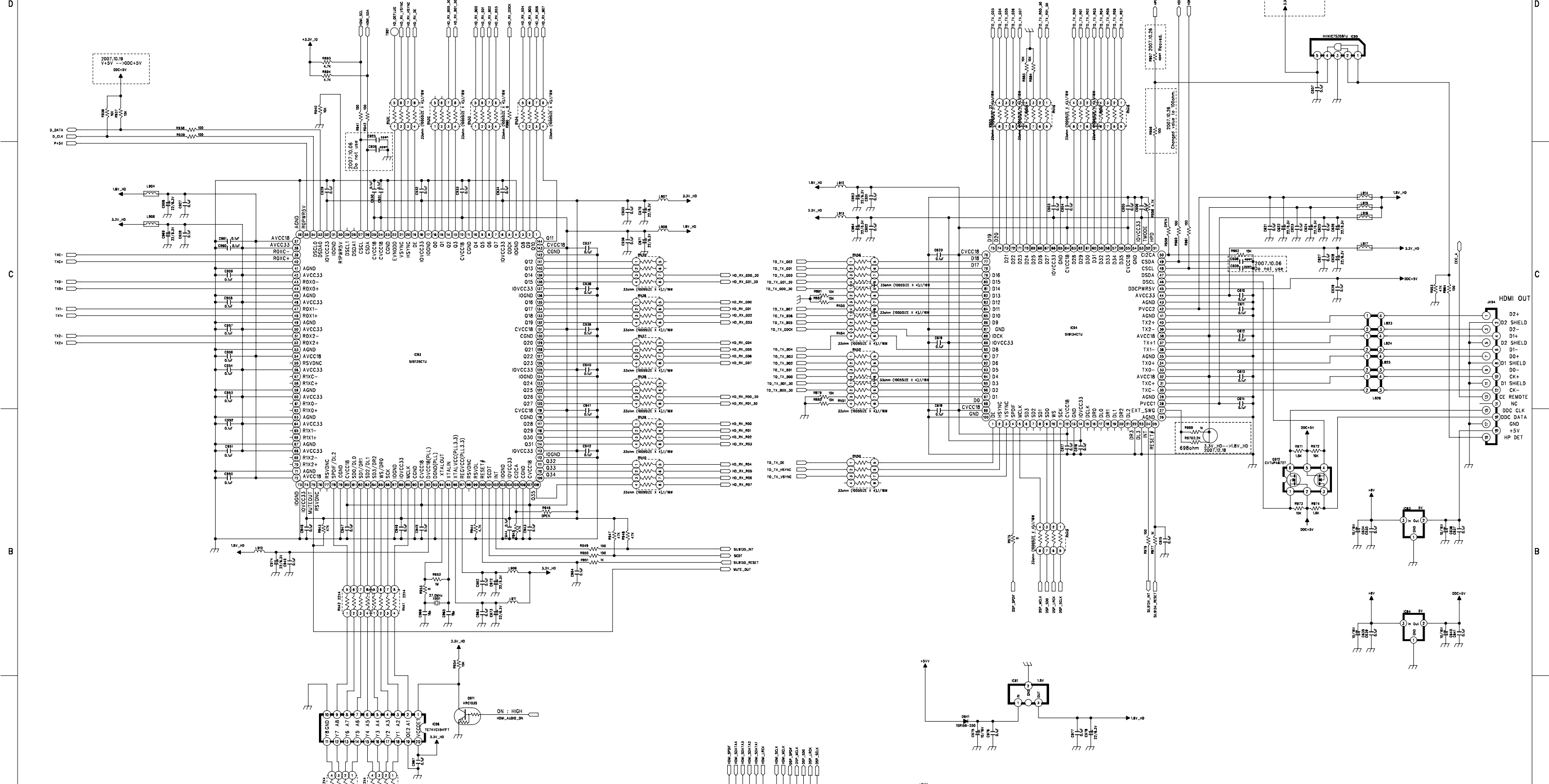
REVISION	2	4	6
1	3	5	7
SCHEMATIC DIAGRAM			SHEET
MODEL	AVR354/355		1/1
DESIGN	CHECK	APPROVE	DRAWING NO
K.S.S	W.Y.Y	G.S.W	CUP12036Z
07.10.18			(MULTI)

CUP12035Z



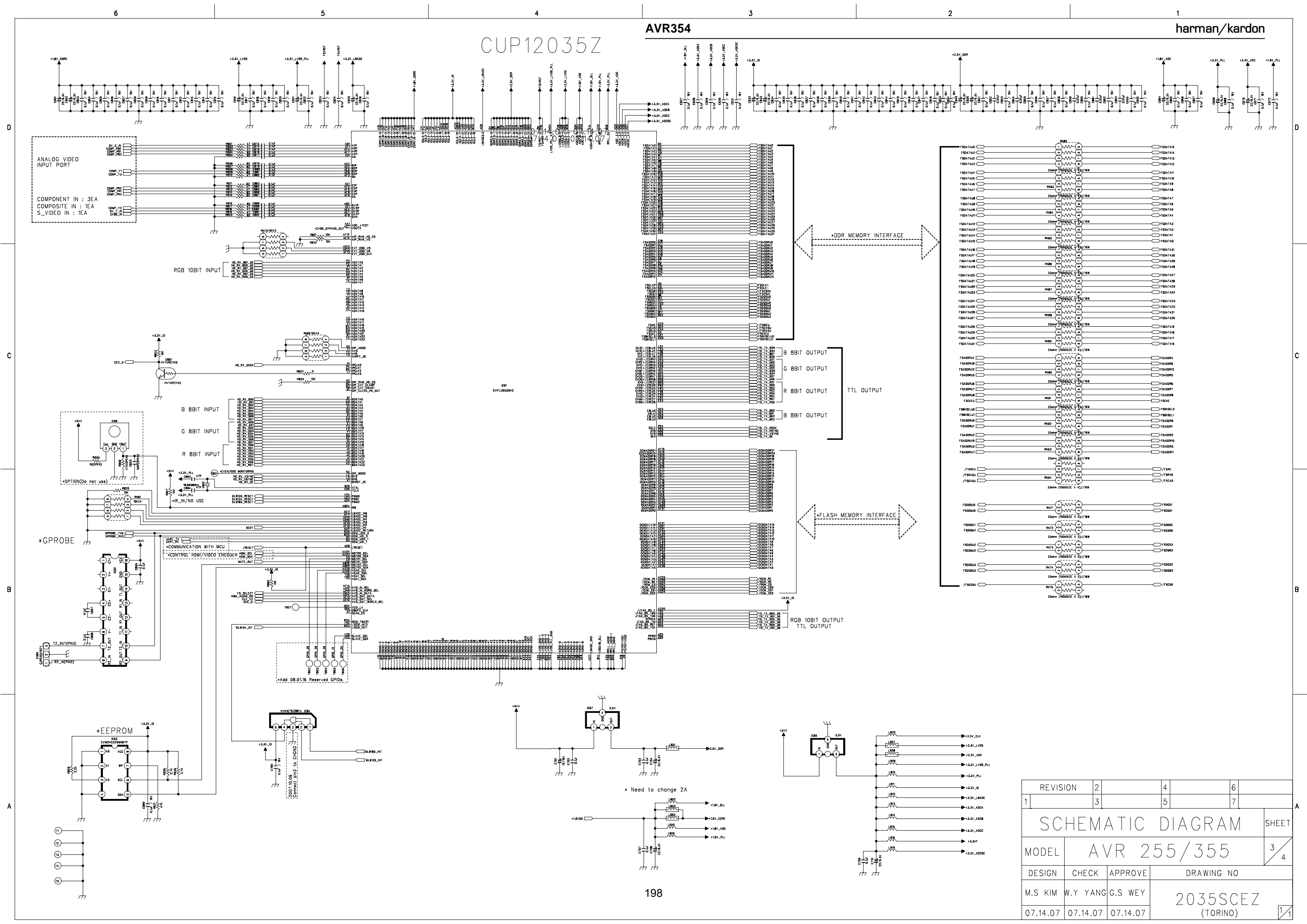
REVISION	2	4	6
1	3	5	7
SCHEMATIC DIAGRAM			SHEET
MODEL	AVR255/355		1/4
DESIGN	CHECK	APPROVE	DRAWING NO
M.S KIM	W.Y YANG	G.S WEY	2035SCEZ
07.14.07	07.14.07	07.14.07	(HDMI-INPUT)

CUP12035Z



REVISION	1	2	3
SCHEMATIC DIAGRAM			SHEET
MODEL	AVR255/355		2 4
DESIGN	CHECK	APPROVE	DRAWING NO
M.S KIM	W.Y YANG	G.S WEY	2035SCEZ
07.14.07	07.14.07	07.14.07	(HDMI-RX,TX)

CUP12035Z

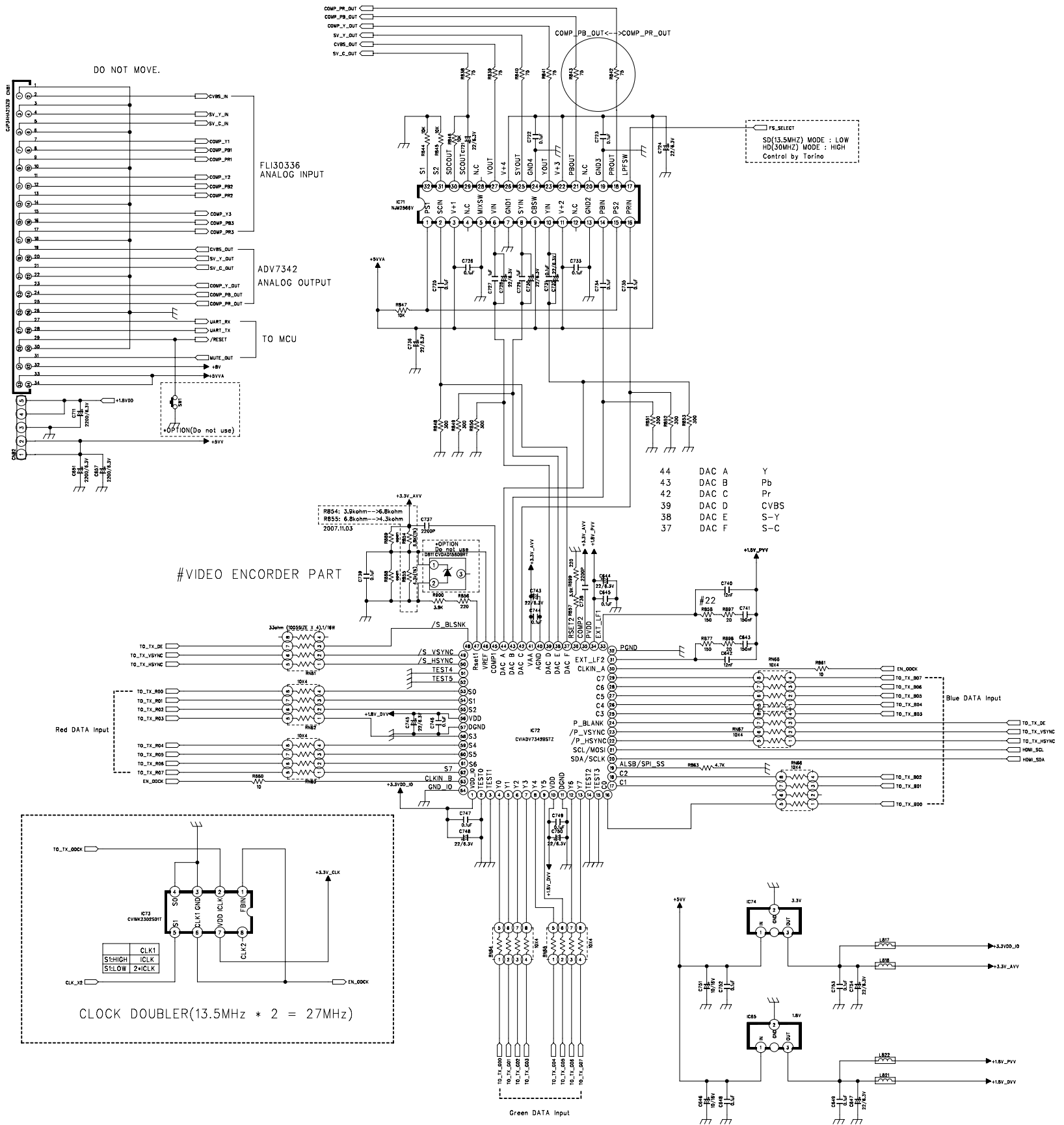


REVISION	2	4	6
1	3	5	7
SCHEMATIC DIAGRAM			
MODEL	AVR 255/355		
DESIGN	CHECK	APPROVE	DRAWING NO
M.S KIM	W.Y YANG	G.S WEY	2035SCEZ
07.14.07	07.14.07	07.14.07	(TORINO)

CUP12035Z

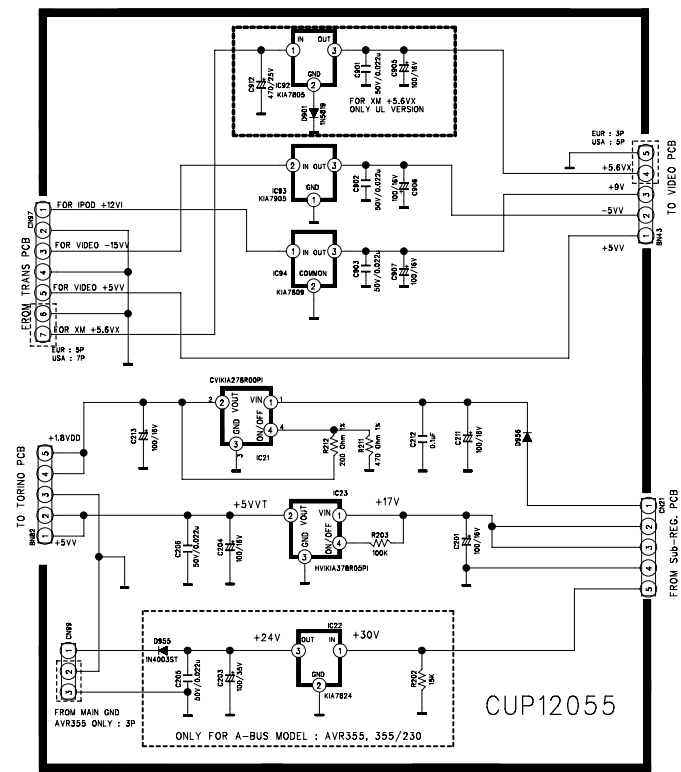
D
C
B
A

D
C
B
A

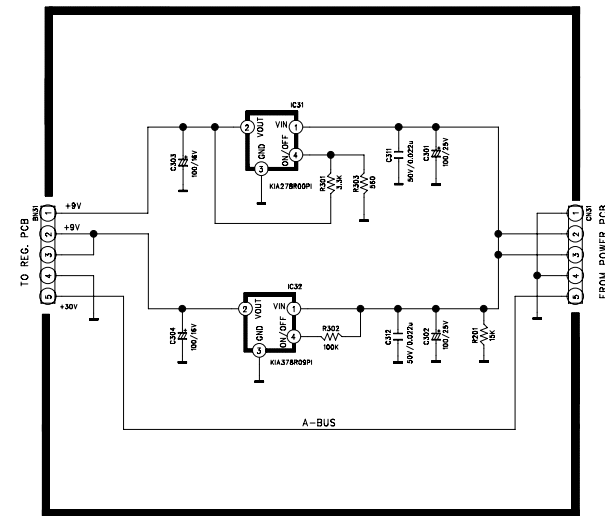


REVISION	2	4	6
1	3	5	7
SCHEMATIC DIAGRAM			
MODEL	AVR255/355		
DESIGN	CHECK	APPROVE	DRAWING NO
M.S KIM	W.Y YANG	G.S WEY	2035SCEZ
07.14.07	07.14.07	07.14.07	(ADV7342+MEM.)

< REGULATOR PCB >



< Sub-REGULATOR PCB >



LPP

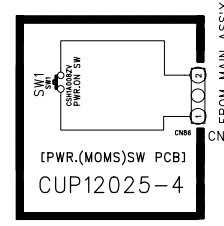
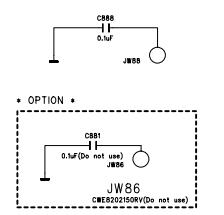
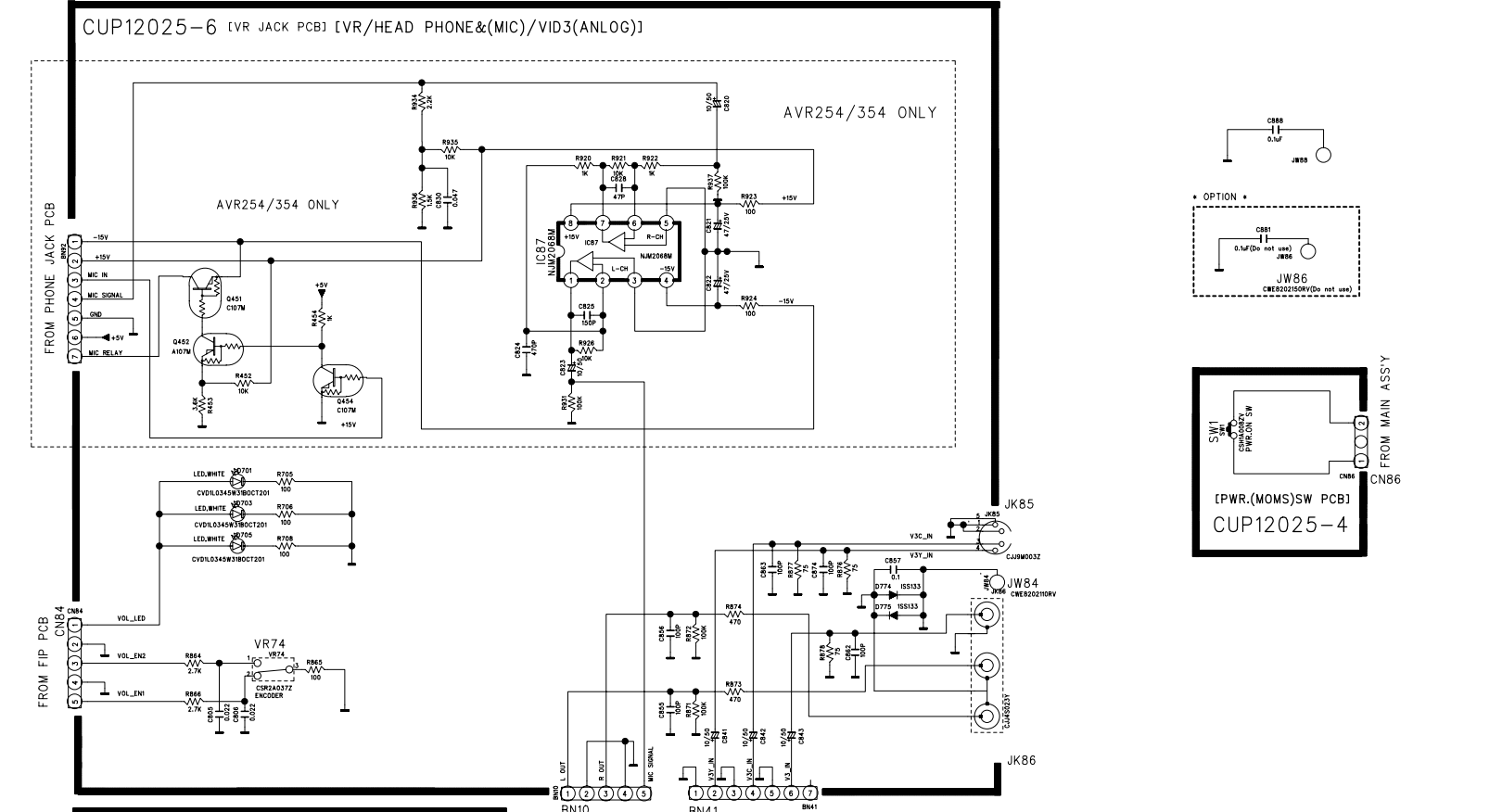
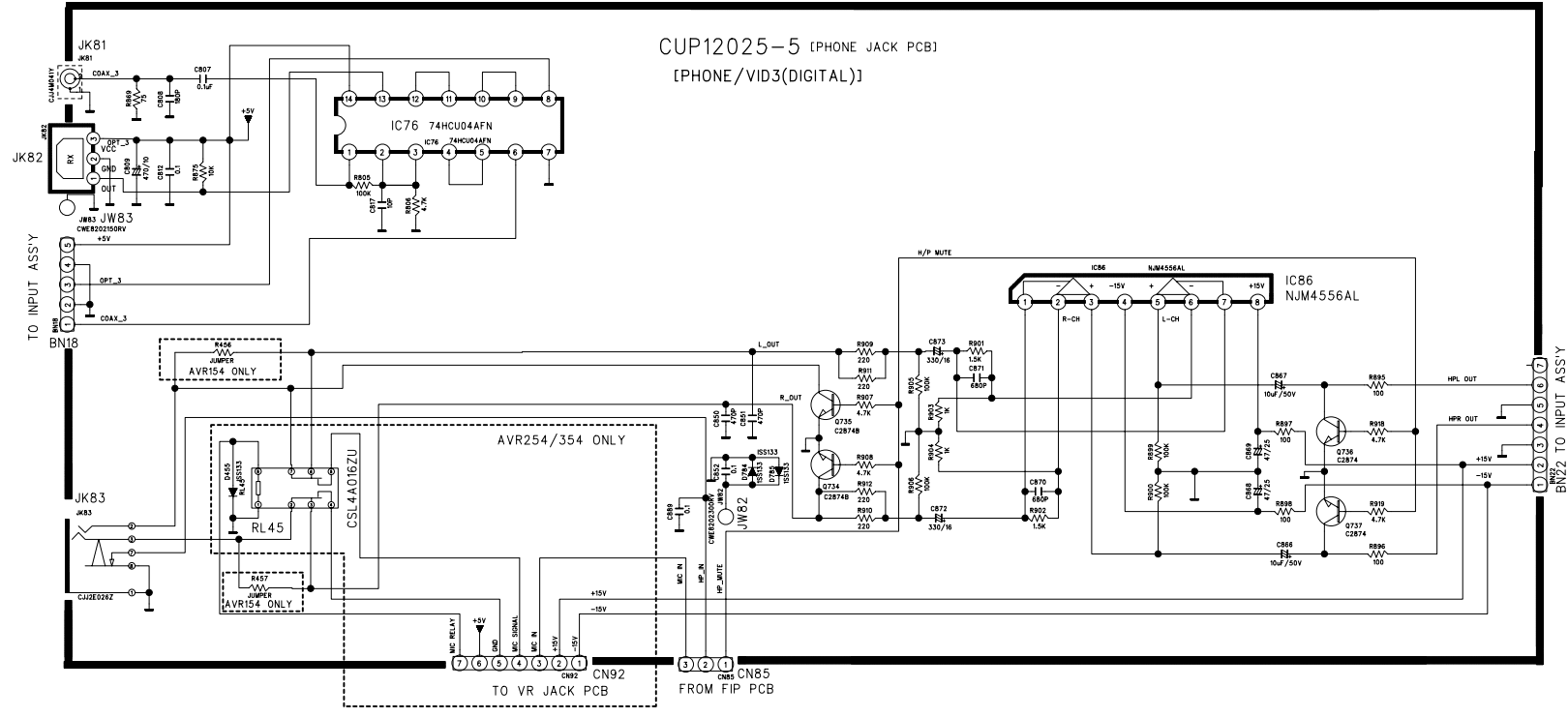
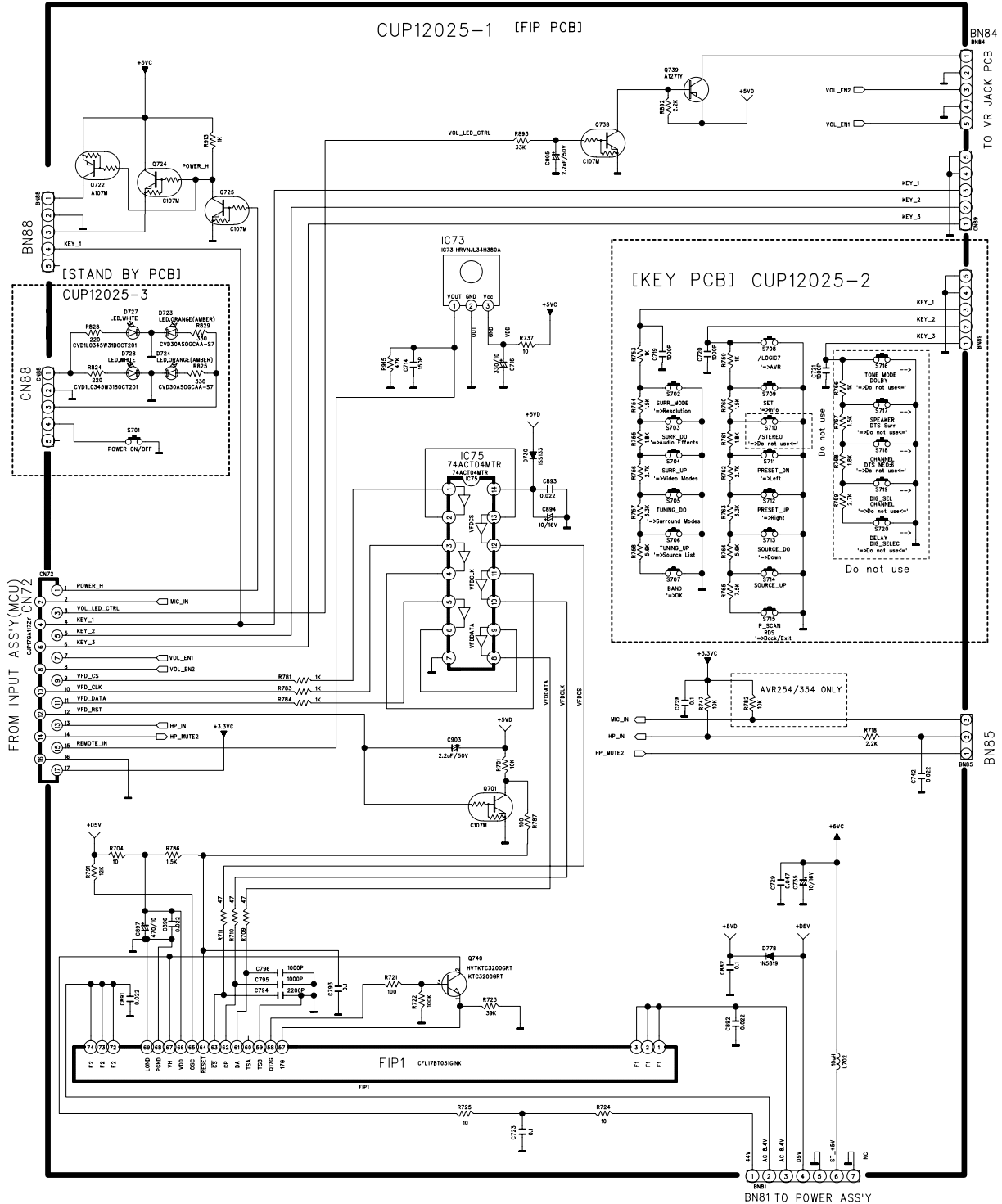


REVISION	2	4	6	
1	3	5	7	
SCHEMATIC DIAGRAM				SHEET
MODEL	AVR 254/255/354/355			1/1
DESIGN	CHECK	APPROVE	DRAWING NO	
J.T.B	Y.Y.W	K.S.W	CUP12055Z	
08.01.19			(REGULATOR)	

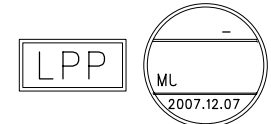
AVR354

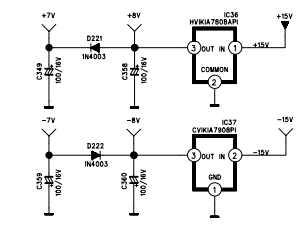
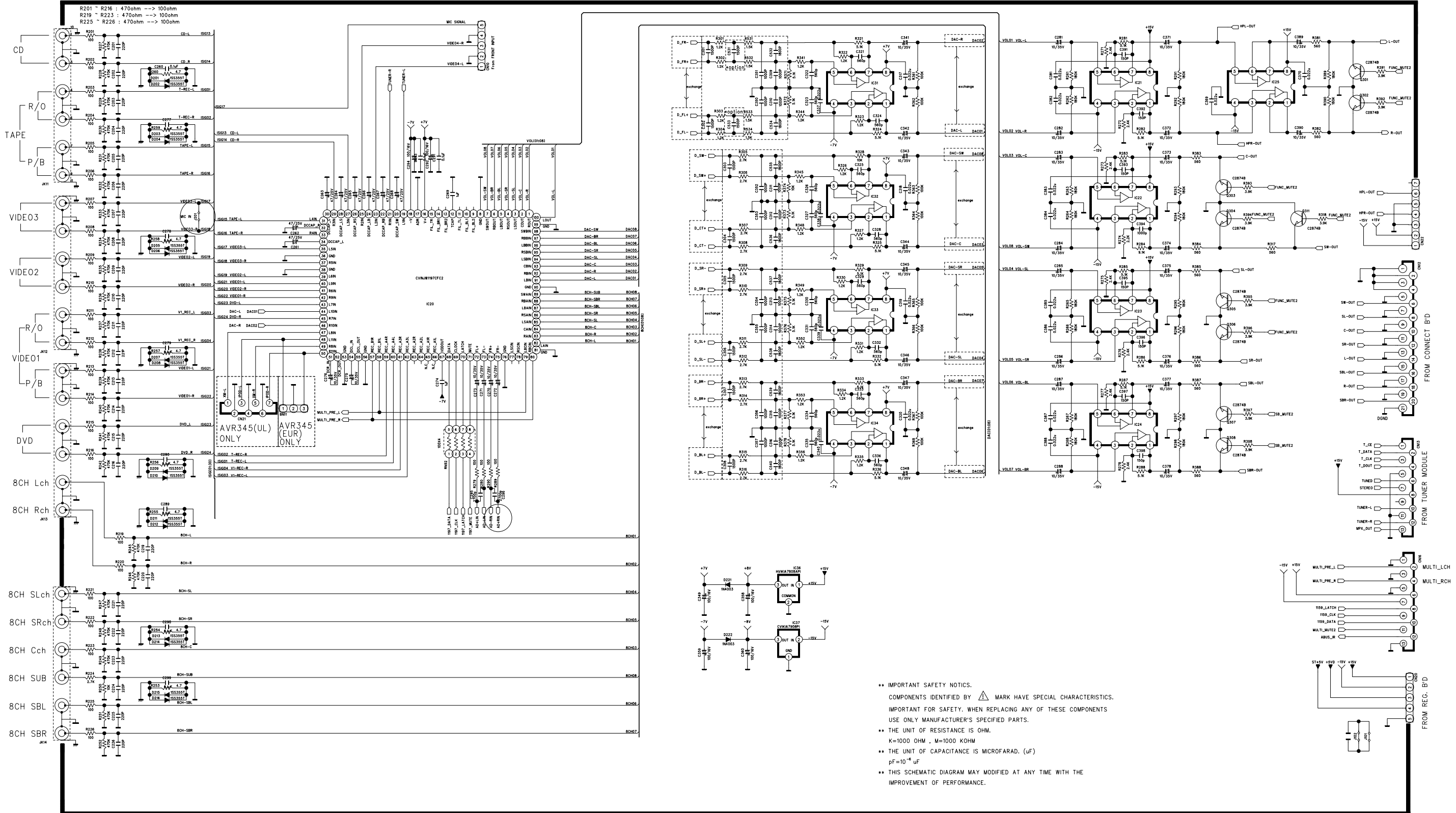
harman/kardon

CUP12025Z



REVISION	2	4	6
1	3	5	7
SCHEMATIC DIAGRAM			
SHEET			
MODEL	AVR154/254/354		
DESIGN	CHECK	APPROVE	DRAWING NO
S.H.YANG	W.Y.YANG	G.S.WEY	2025SCDZ
07.12.07	07.12.07	07.12.07	(FRONT)

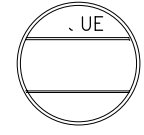




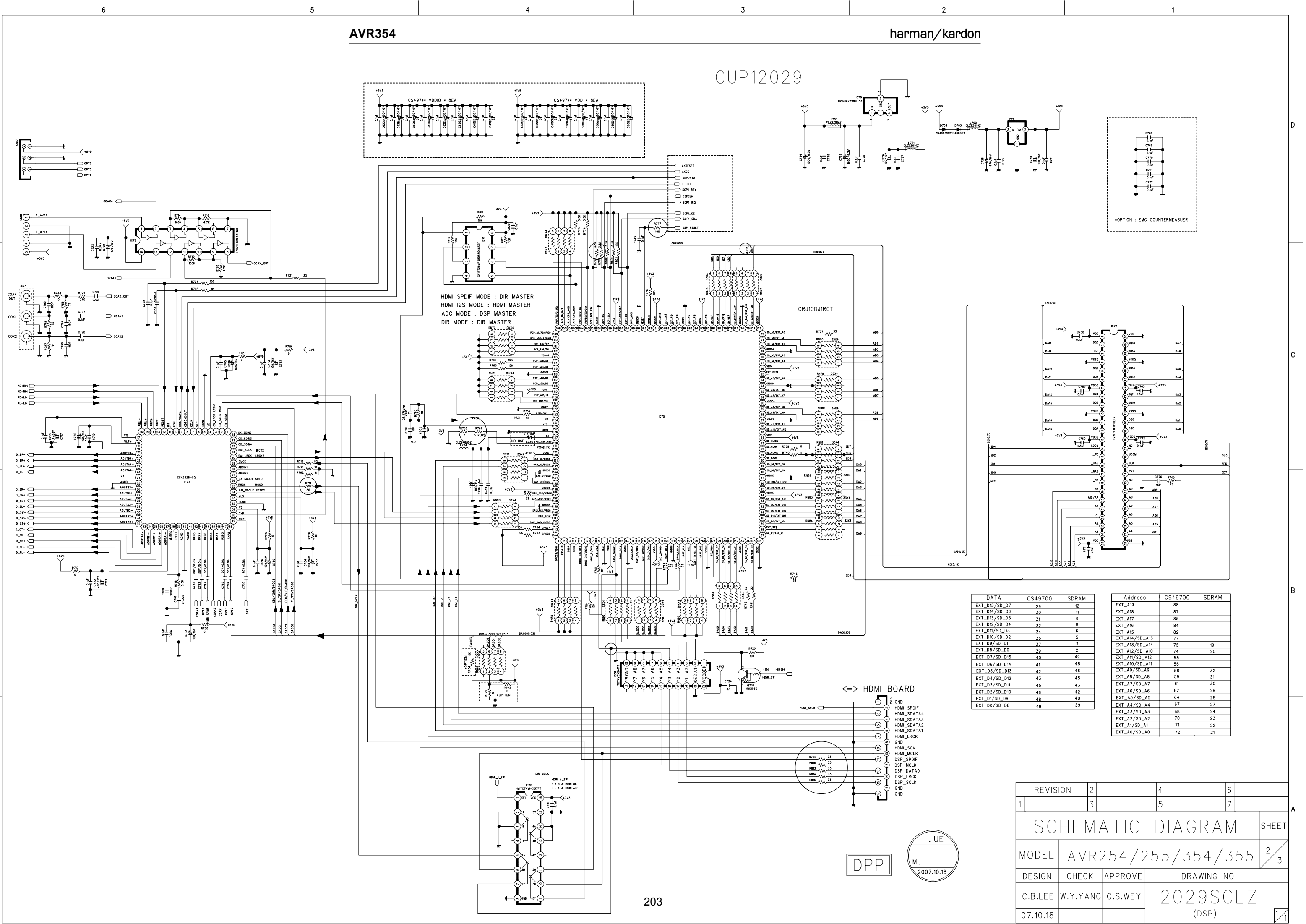
•• IMPORTANT SAFETY NOTICES.
 COMPONENTS IDENTIFIED BY Δ MARK HAVE SPECIAL CHARACTERISTICS.
 IMPORTANT FOR SAFETY, WHEN REPLACING ANY OF THESE COMPONENTS
 USE ONLY MANUFACTURER'S SPECIFIED PARTS.
 •• THE UNIT OF RESISTANCE IS OHM.
 K=1000 OHM , M=1000 KOHM
 •• THE UNIT OF CAPACITANCE IS MICROFARAD. (μ F)
 μ F=10⁻⁶ F
 •• THIS SCHEMATIC DIAGRAM MAY MODIFIED AT ANY TIME WITH THE
 IMPROVEMENT OF PERFORMANCE.

REVISION	2	4	6
1	3	5	7
SCHEMATIC DIAGRAM			
MODEL	AVR254/255/354/355		
DESIGN	CHECK	APPROVE	DRAWING NO
C.B.LEE	W.Y.YANG	G.S.WEY	2029SCLZ
07.10.18			(INPUT)

DPP



CUP12029

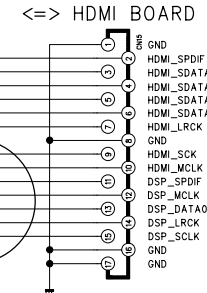


HDMI SPDIF MODE : DIR MASTER
 HDMI I2S MODE : HDMI MASTER
 ADC MODE : DSP MASTER
 DIR MODE : DIR MASTER

DATA	CS49700	SDRAM
EXT_D15/SD_D7	29	12
EXT_D14/SD_D6	30	11
EXT_D13/SD_D5	31	9
EXT_D12/SD_D4	32	8
EXT_D11/SD_D3	34	6
EXT_D10/SD_D2	35	5
EXT_D9/SD_D1	37	3
EXT_D8/SD_D0	39	2
EXT_D7/SD_D15	40	49
EXT_D6/SD_D14	41	48
EXT_D5/SD_D13	42	46
EXT_D4/SD_D12	43	45
EXT_D3/SD_D11	45	43
EXT_D2/SD_D10	46	42
EXT_D1/SD_D9	48	40
EXT_D0/SD_D8	49	39

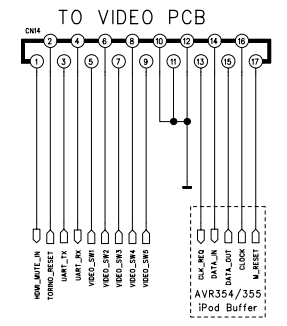
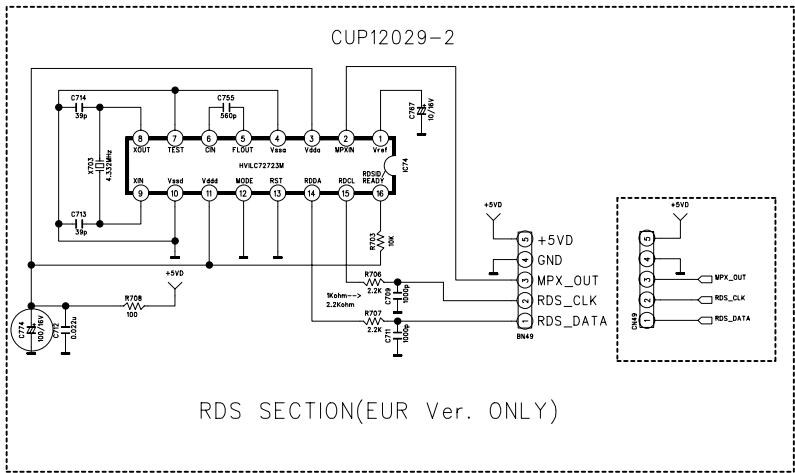
Address	CS49700	SDRAM
EXT_A19	89	
EXT_A18	87	
EXT_A17	85	
EXT_A16	84	
EXT_A15	82	
EXT_A14/SD_A13	77	
EXT_A13/SD_A14	75	19
EXT_A12/SD_A10	74	20
EXT_A11/SD_A12	55	
EXT_A10/SD_A11	56	
EXT_A9/SD_A9	58	32
EXT_A8/SD_A8	59	31
EXT_A7/SD_A7	62	30
EXT_A6/SD_A6	64	28
EXT_A5/SD_A5	64	28
EXT_A4/SD_A4	67	27
EXT_A3/SD_A3	68	24
EXT_A2/SD_A2	70	23
EXT_A1/SD_A1	71	22
EXT_A0/SD_A0	72	21

REVISION	2	4	6
	3	5	7
SCHEMATIC DIAGRAM			
MODEL	AVR254/255/354/355		SHEET 2/3
DESIGN	CHECK	APPROVE	DRAWING NO
C.B.LEE	W.Y.YANG	G.S.WEY	2029SCLZ
07.10.18			(DSP)

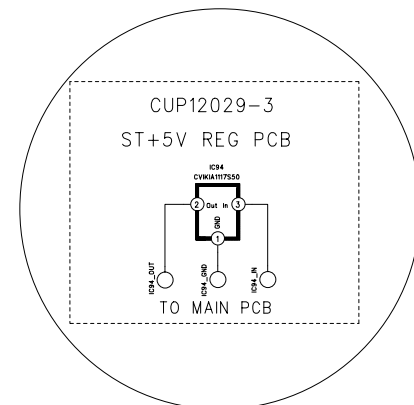


AVR354

harman/kardon

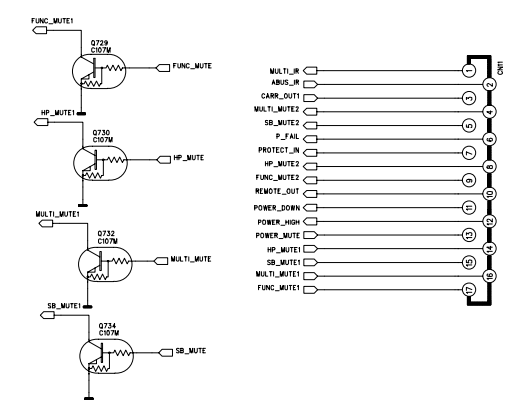
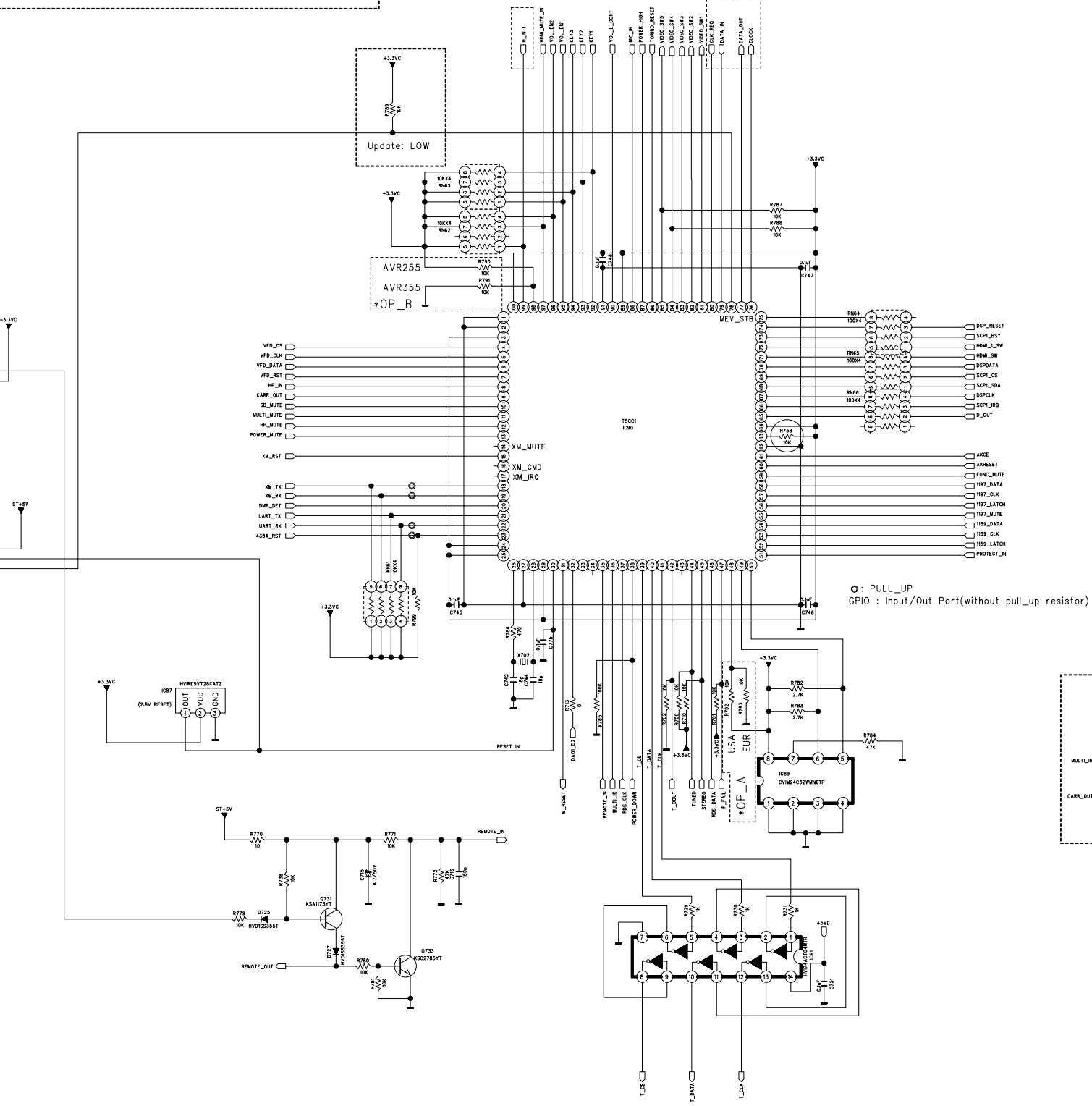
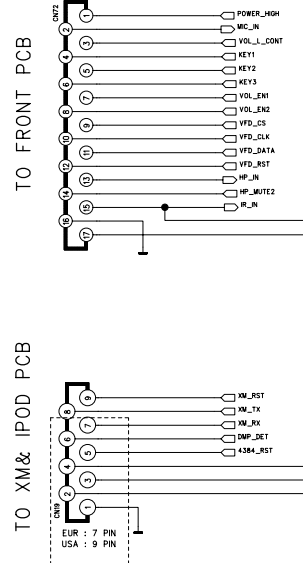


U-COM	AVR255	AVR355	AVR155
PIN 97	HDMI_MUTE_IN	HDMI_MUTE_IN	N.A
PIN 86	TORINO_RESET	TORINO_RESET	N.C
PIN 21	UART_TX(TORINO&PC)	UART_TX(TORINO&PC)	UART_TX(PC)
PIN 22	UART_RX(TORINO&PC)	UART_RX(TORINO&PC)	UART_RX(PC)
PIN 81	VIDEO_SW1	VIDEO_SW1	N.A
PIN 82	VIDEO_SW2	VIDEO_SW2	OSD_CS1
PIN 83	VIDEO_SW3	VIDEO_SW3	OSD_CLK
PIN 84	VIDEO_SW4	VIDEO_SW4	OSD_DA
PIN 85	VIDEO_SW5	VIDEO_SW5	OSD_M
PIN 80	CLOCK	CLOCK	HDMI_MUX_SDA
PIN 79	DATA_OUT	DATA_OUT	HDMI_MUX_SCLK
PIN 77	DATA_IN	DATA_IN	OSD_H
PIN 76	CLK-REQ	CLK-REQ	OSD_H

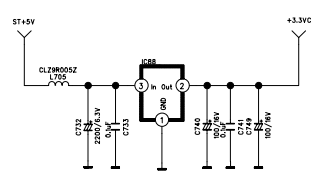
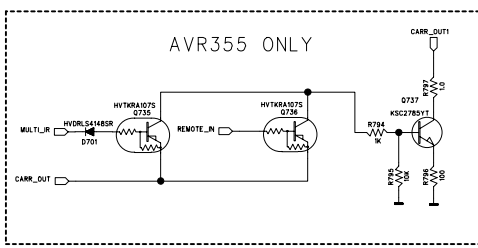


* MODEL OPTION *

MODEL	OP_A(PIN48)	OP_B(PIN98)
AVR355	HIGH(R792)	LOW(R791)
AVR354	HIGH(R792)	LOW(R791)
AVR254	HIGH(R792)	HIGH(R790)
AVR355/230	LOW(R793)	LOW(R791)
AVR255/230	LOW(R793)	HIGH(R790)



○ : PULL_UP
GPIO : Input/Out Port(without pull_up resistor)



DPP

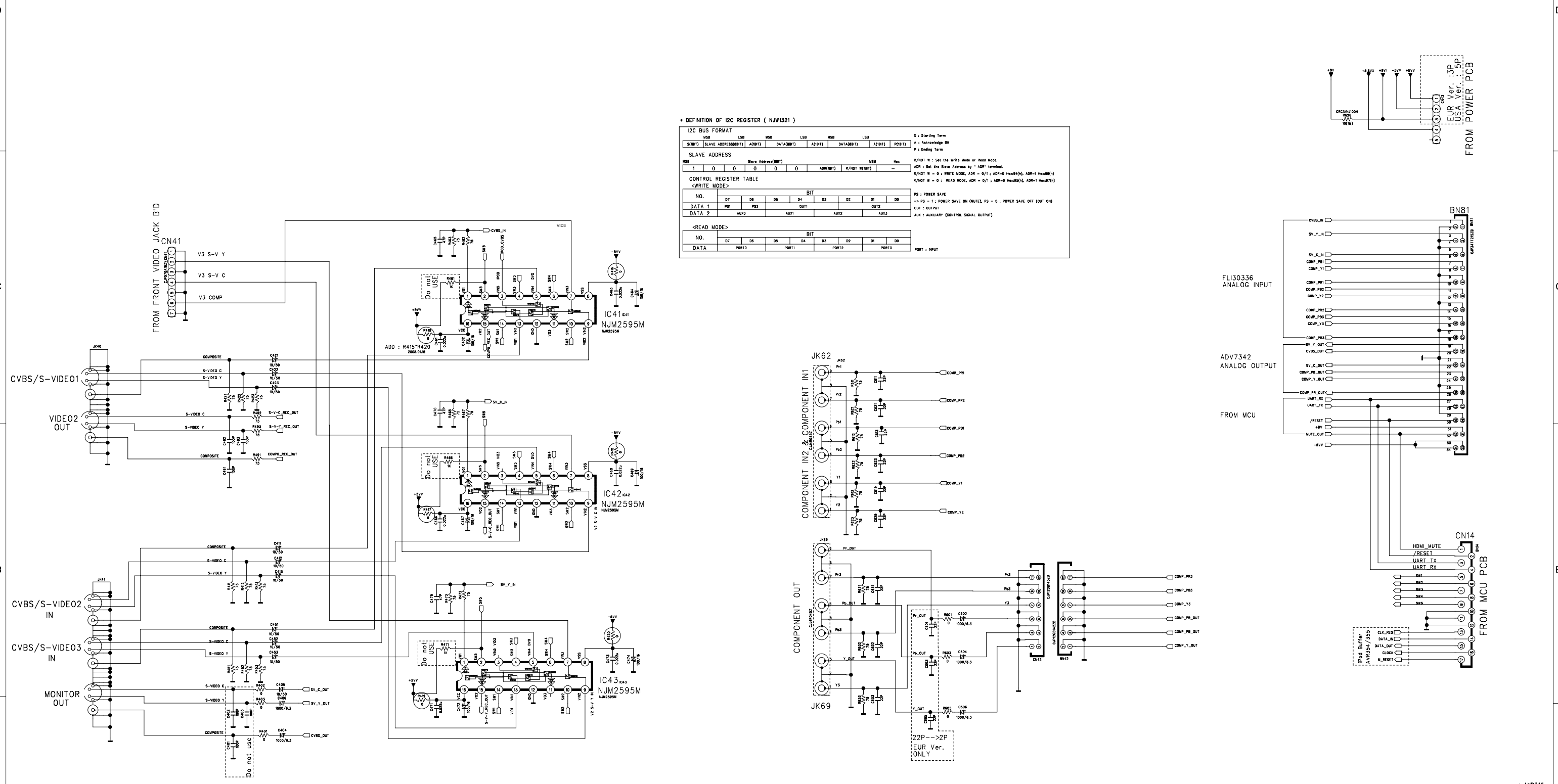
MI 2007.10.18

REVISION	2	4	6
	3	5	7
SCHEMATIC DIAGRAM			
MODEL	AVR254/255/354/355		
DESIGN	CHECK	APPROVE	DRAWING NO
C.B.LEE	W.Y.YANG	G.S.WEY	2029SCLZ
07.10.18			(CPU)

AVR354

harman/kardon

CUP12033Z



• DEFINITION OF I2C REGISTER (NJW1321)

I2C BUS FORMAT

SE(NT)	LSB	MSB	LSB	MSB	LSB	MSB
(S)M(T)	SLAVE ADDRESS(BBIT)	AC(BIT)	DATA(BBIT)	AC(BIT)	DATA(BBIT)	AC(BIT) P(BIT)

SLAVE ADDRESS

MSB	Slave Address(BBIT)	MSB	Pin
1	0 0 0 0 0 0	ADR(NT)	R/NT(NT)

CONTROL REGISTER TABLE

<WRITE MODE>

NO.	D7	D6	D5	D4	D3	D2	D1	D0
DATA 1	PS1	PS2	OUT1					
DATA 2	AUX0	AUX1	AUX2		AUX3			

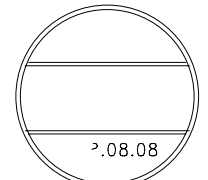
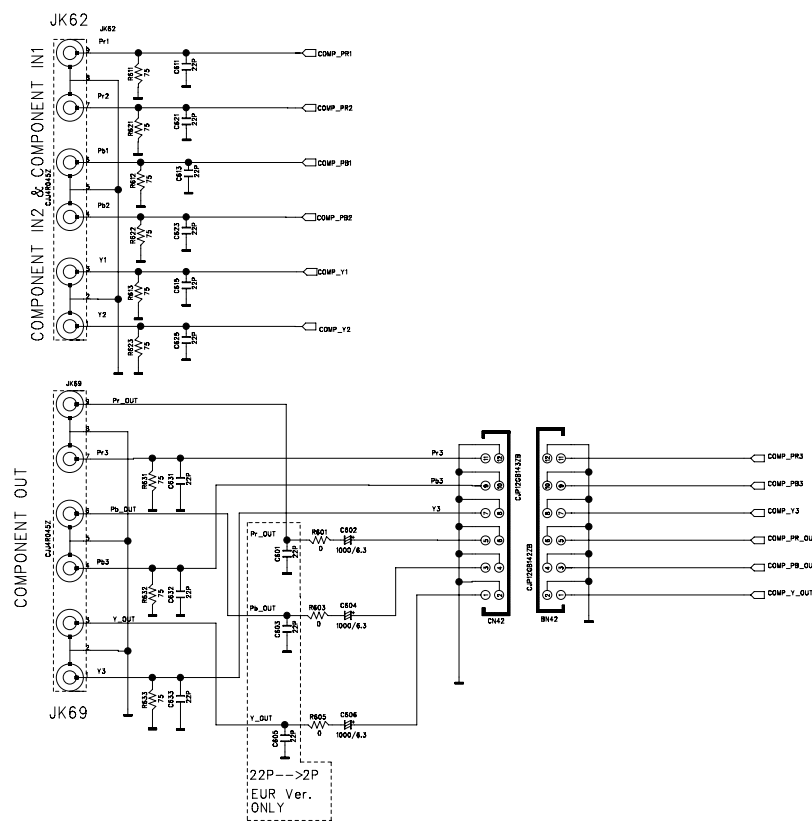
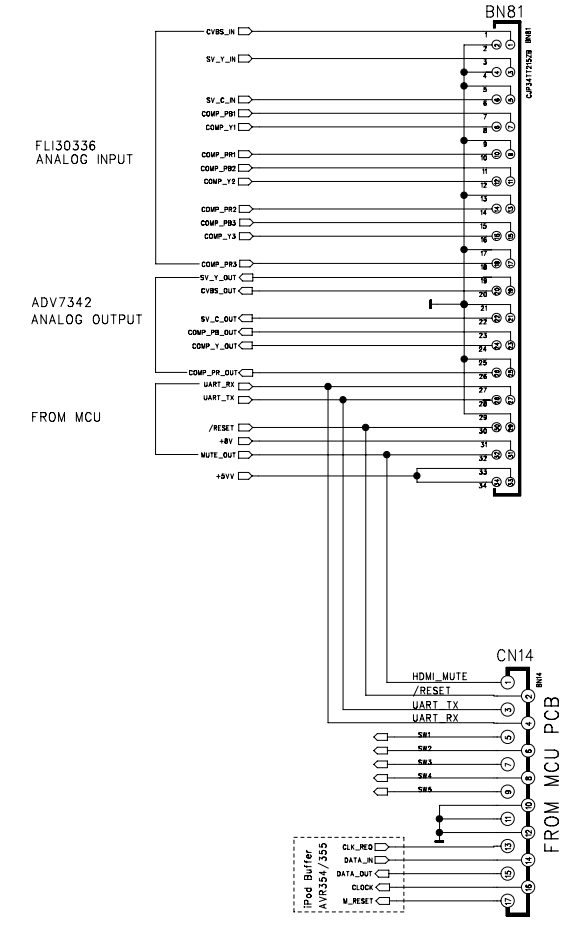
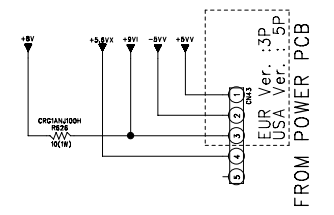
<READ MODE>

NO.	D7	D6	D5	D4	D3	D2	D1	D0
DATA	PORT0	PORT1	PORT2		PORT3			

PS : POWER SAVE
 -> PS = 1 : POWER SAVE ON (INPUT), PS = 0 : POWER SAVE OFF (OUT ON)
 OUT : OUTPUT
 AUX : AUXILIARY (CONTROL SIGNAL OUTPUT)
 PORT : INPUT

*NJM2595M OPTION
 ==>V_MUTE "LOW" ACTIVE

FUNC.	SW1	SW2	SW3	SW4	SW5
CVBS/S-V1	H	L	L	L	H
CVBS/S-V2	L	H	L	L	H
CVBS/S-V3	H	L	L	H	H
FRONT CVBS/S-V	H	H	L	L	H
IPOD	H	L	H	H	H



DPP

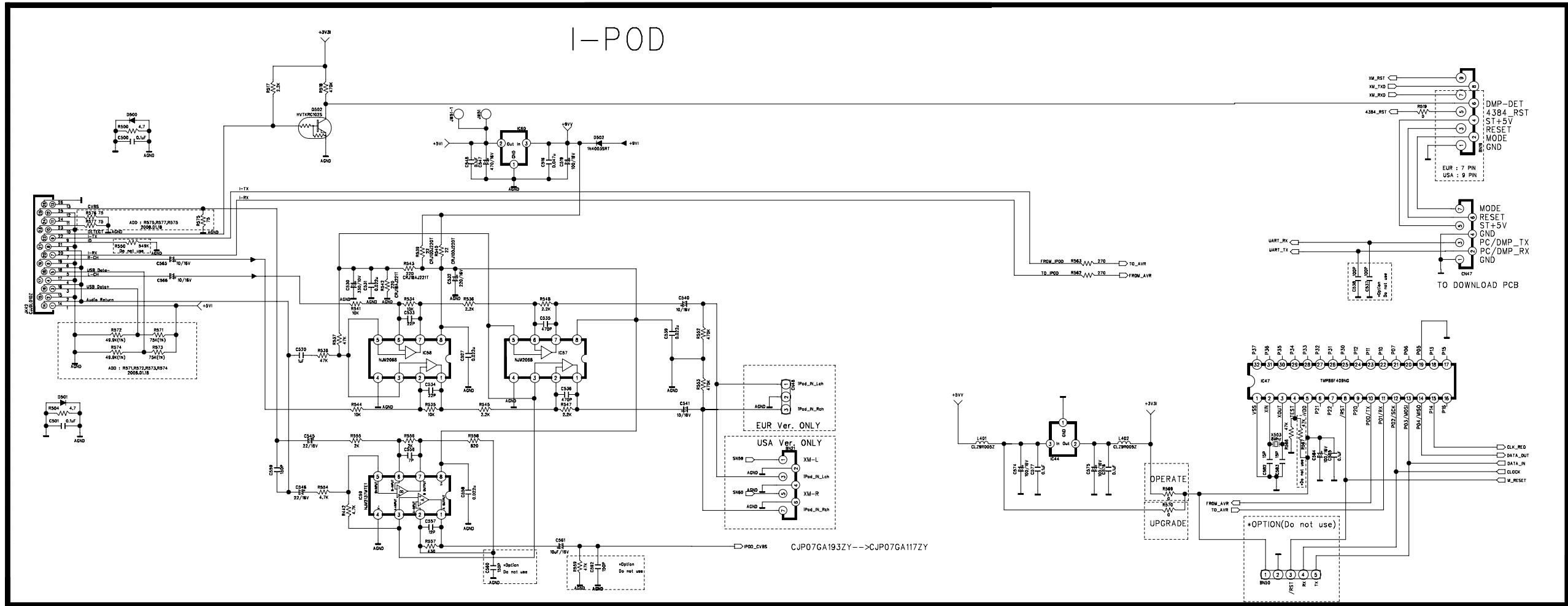
• AVR354
 • NO.4

REVISION	2	4	6
1	3	5	7
SCHEMATIC DIAGRAM			
MODEL	AVR354 / 355		
DESIGN	CHECK	APPROVE	DRAWING NO
M.S.K	W.Y.Y	K.S.W	2033SCEZ
06.08.23	06.	06.	(VIDEO)

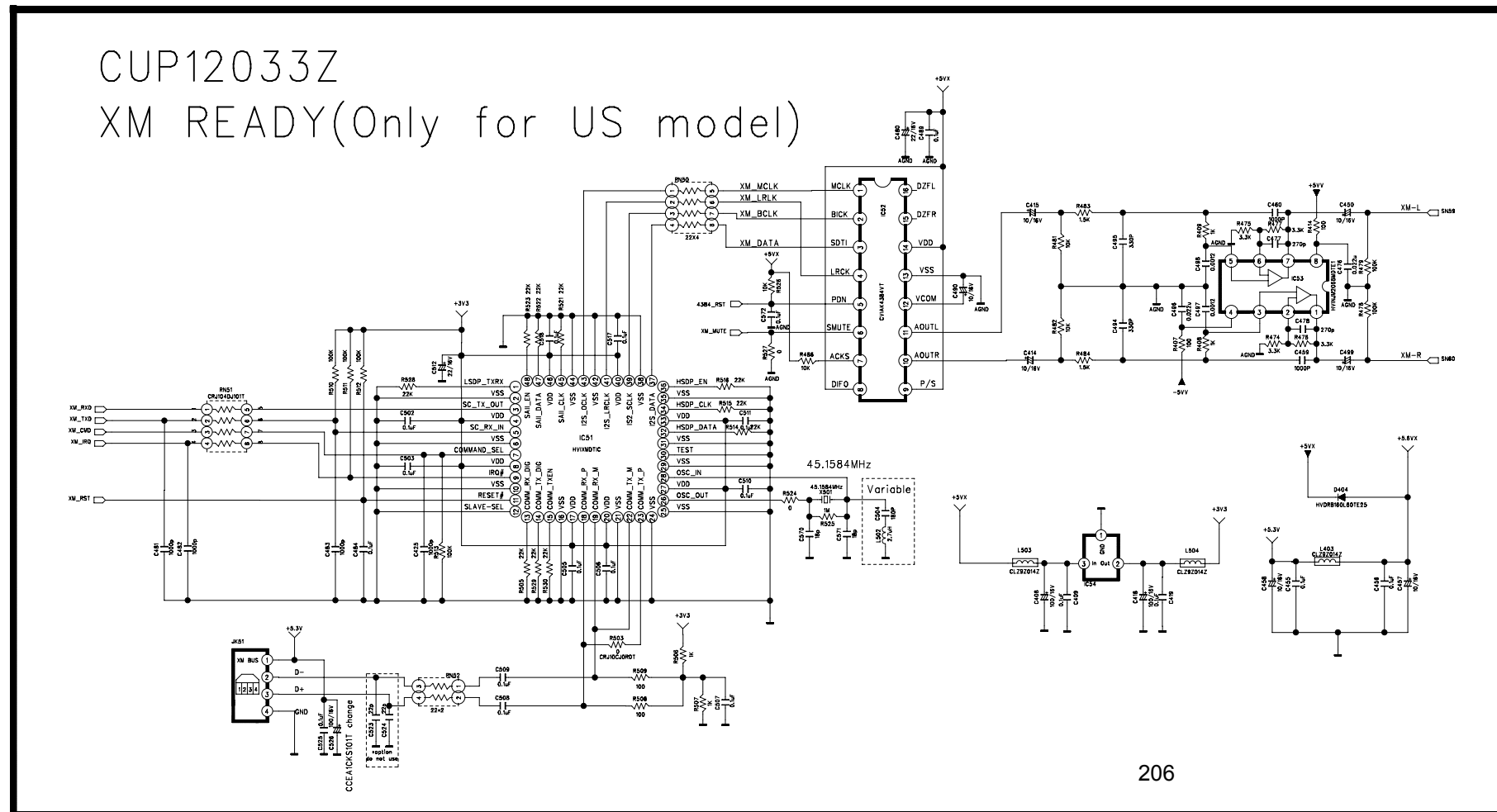
AVR354

harman/kardon

I-POD



CUP12033Z XM READY(Only for US model)



REVISION	2	4	6	
1	3	5	7	
SCHEMATIC DIAGRAM				SHEET
MODEL	AVR354 / 355			1 / 4
DESIGN	CHECK	APPROVE	DRAWING NO	
M.S.K	W.Y.Y	K.S.W	2033SCEZ	
05.00.00	05.00.00	05.00.00	(AMP)	

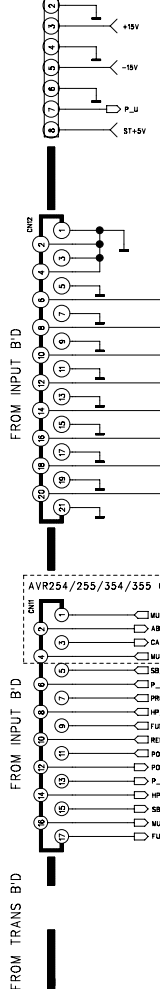
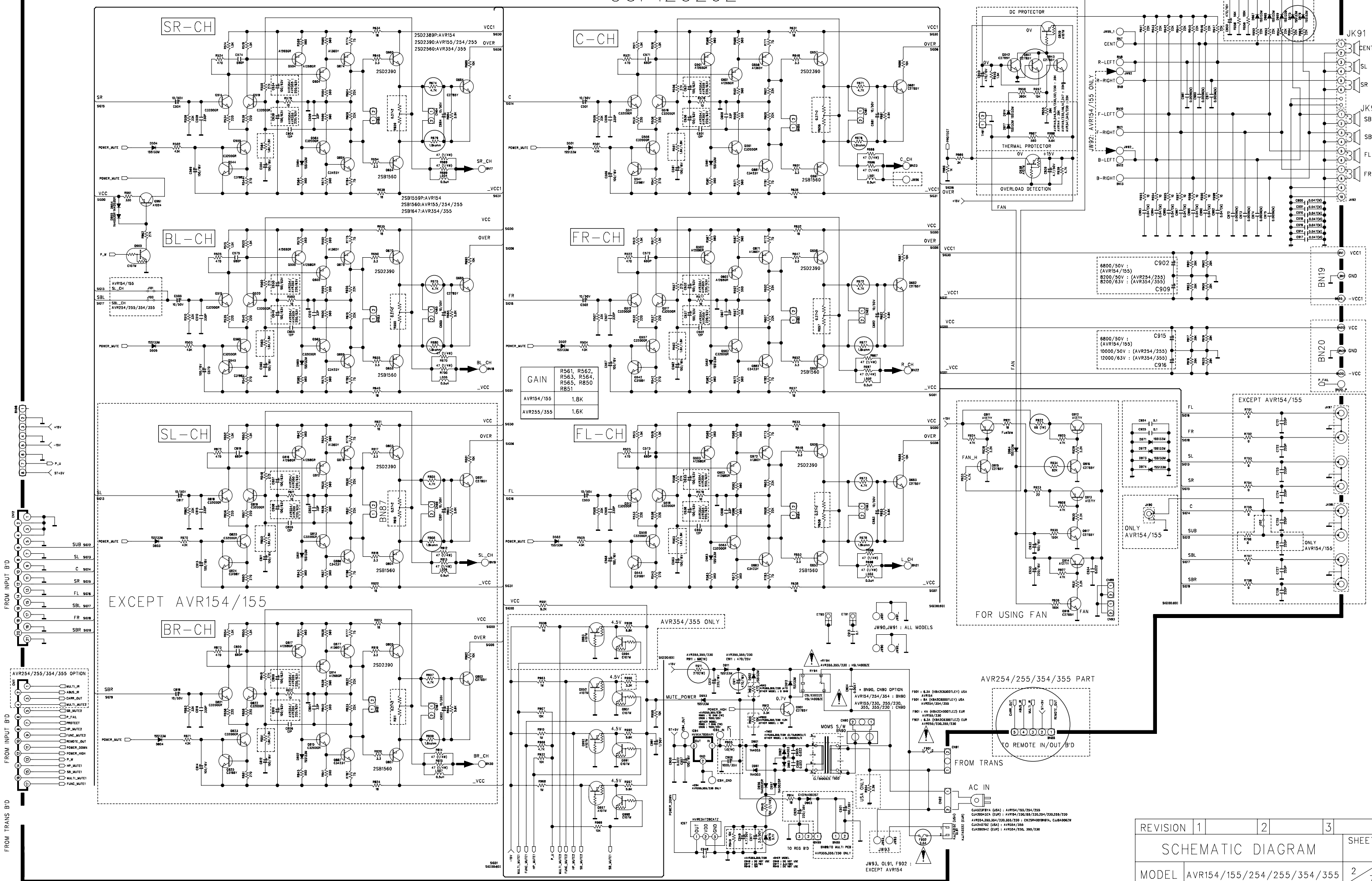
AVR354

CUP12026Z

harman/kardon

FAN_H

ONLY FAN USING



EXCEPT AVR154/155

EXCEPT AVR154/155

AVR354/355 ONLY

FOR USING FAN

ONLY AVR154/155

EXCEPT AVR154/155

ONLY AVR154/155

AVR254/255/354/355 PART

TO REMOTE IN/OUT B/D

FROM TRANS

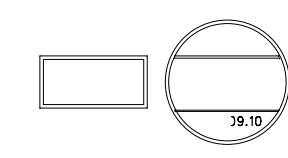
AC IN

TO REG B/D

TO REG B/D

EXCEPT AVR154

- IMPORTANT SAFETY NOTICE.
- IMPORTANT FOR SAFETY WHEN REPLACING ANY OF THESE COMPONENTS USE ONLY MANUFACTURE'S SPECIFIED PARTS.
- THE UNIT OF RESISTANCE IS OHM.
- K=1000 OHM, M=1000 KOHM.
- THE UNIT OF CAPACITANCE IS MICROFARAD (UF)
- pF = 10⁻⁶ UF
- THIS SCHEMATIC DIAGRAM MAY MODIFIED AT ANY TIME WITH THE IMPROVEMENT OF PERFORMANCE



REVISION	1	2	3	SHEET
SCHEMATIC DIAGRAM				2
MODEL	AVR154/155/254/255/354/355			7
DESIGN	CHECK	APPROVE	DRAWING NO	
C.B.LEE	W.Y.YANG	G.S.WEY	2026SCLZ	
07.08.23				(MAIN)